



DONGYA ELECTRONIC



ZLJM-80C/100C

Series latch contactors
系列磁保持型接触器

1) 产品型号含义 Nomination(nomogram)

ZLJM - 80C / (B) □ · S · T · W · H



2) 使用条件 Use conditions required

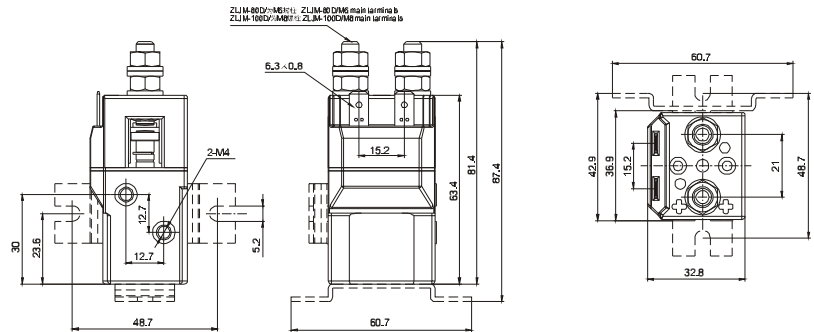
环境温度 Ambient temperature: -25~+40°C
 相对湿度 Relative humidity: +20°C 达98% (upto 98% at +20°C)
 固定处的振动频率 Vibration freq. at the fixed position:
 3g, 1-50Hz 振幅0.5mm
 3g, 1-50Hz ampl 0.5mm
 安装方向 Mounting directions: 任意 Optional

3) 特殊说明

产品线圈采取正、负脉冲激励(1、2端), 激励时间200ms≤t≤1s, 线圈不能持续长期通电, 操作频率不得超过每分钟6次, 并且脉冲应是方波, 正脉冲使触点闭合、负脉冲使触点断开, 线圈去激励后, 接触器触点状态由产品内的永久磁铁保持。
 Product coil is excited by positive and negative pulse (1, 2 points), 200ms≤t≤1s. Long time continuous energizing is not allowed, Operation frequency no more than 6 time/min. It's square pulse and positive pulse makes the contact close while negative pulse makes the contact open. After the excitation, the permanent magnet in product keeps the state of the contact.

4) 外形安装图 Configurational mounting diagram

ZLJM-80C/可带安装支架与微动开关WDK-1 ZLJM-80C/ can be fitted with mounting bracket and microswitch WDK-1
 ZLJM-100C/可带安装支架不带微动开关WDK-1 ZLJM-100C/ can be fitted with mounting bracket but with no microswitch WDK-1



5) 线路原理图 Circuit diagram

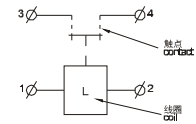
ZLJM-80C/L

ZLJM-100C/L

3, 4为触点接线端(3, 4 contact terminal)

1, 2为线圈接线端(1, 2 coil terminal)

L为线圈(L is winding)



ZLJM-80C/L · S

ZLJM-100C/L · S

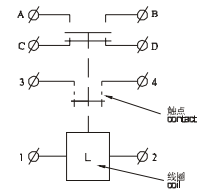
带微动开关(With Microswitch)

3, 4为触点接线端(3, 4 contact terminal)

1, 2为线圈接线端(1, 2 coil terminal)

L为线圈(L is winding)

A, B, C, D为微动开关接线端(A, B, C, Daux. contact terminal)



6) 简要技术数据 Basic technical data

编号 NO.	参数名称 Parameters	产品代号 Product code
		ZLJM-80C/100C系列 series
1	线圈额定电压 Rated coil volt (VDC)	12, 24, 30, 48, 60, 72, 120等etc
2	(20±5)°C下, 冷态动作电压(V) Operating volt in cold state at (20±5)°C	线圈额定电压的(25~70)% (25~70%) of rated coil volt
3	触点电路额定负载电流 Rated load current of contact circuit(A)	80A, 100A
4	触点电路额定电压 Rated volt of contact circuit(V DC)	60
5	额定负载下触点接触电压降 Contact volt drop of rated load	不大于80mV not above 80mV
6	最小脉宽度 Min pulse width	200mS
7	介电耐压(相互绝缘的导电部分) Dielectric strength (Between insulated electric parts)	1000VAC 50/60Hz (1 minute)
8	电寿命 Electric life	20,000 Ops.
9	机械寿命 Mechanical life	10万次 100,000 Ops.
10	线圈电流 Coil current	小于 700mA <700mA
11	工作规范 Working duty	连续 Continuous