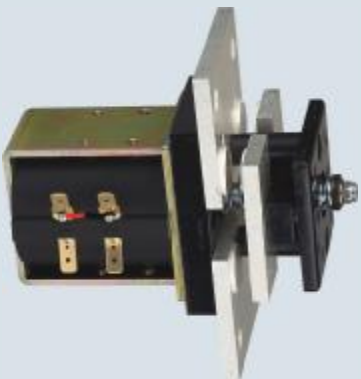




DONGYA ELECTRONIC

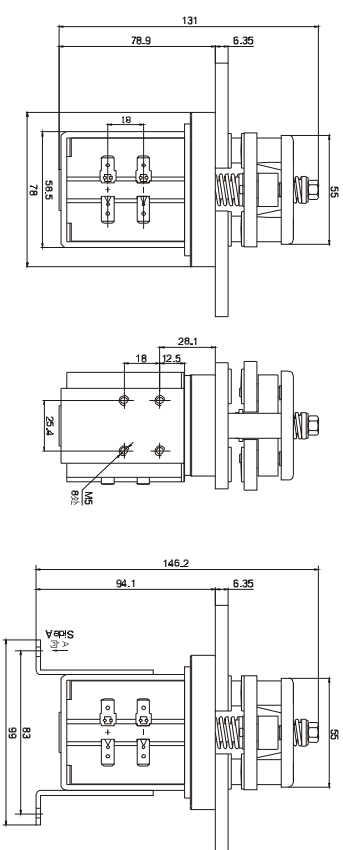
FRGE 39/40



ZLJM-800C

Series latch contactors
系列磁保持型接触器

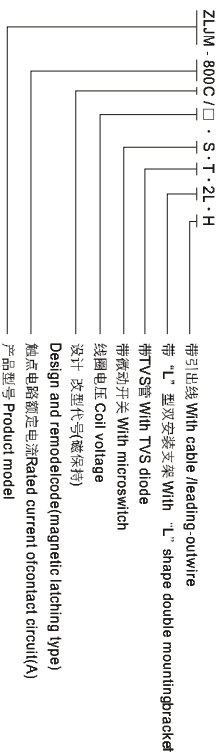
外形安装图 Configurational mounting diagram



线路原理图 Circuit diagram



产品型号含义 Nomination (nomogram)



使用条件 Use conditions required

- 环境温度 Ambient temperature: -25~+40℃
- 相对湿度 Relative humidity: +20℃≤98%(up to 99% at +20℃)
- 固定处的振动频率 Vibration freq. at the fixed position: 3g, 1-50Hz 振幅 0.5mm
- 3g, 1-50Hz 振幅 0.5mm
- 安装方向 Mounting directions: 触点向上及水平位置

特殊说明

The contactors can be mounted vertically or horizontally, if mounted vertically the coil should be at the bottom and the pulse response is faster. 产品线圈采用正、负脉冲激励(1、2端),激励时间200ms≤t≤1s,线圈不能承受长时间通电,操作频率不得超过每分钟6次,并且脉冲应是方波,正脉冲使触点闭合、负脉冲使触点断开,线圈未激励前,接触器触点状态由产品内的永久磁铁保持,是 not allowed. Operation frequency remains more than 6 times/min. Its square pulse and positive pulse makes the contact close while negative pulse makes the contact open. After the excitation, the permanent magnet in product keeps the state of the contact.

简要技术参数 Basic technical data

序号 NO.	参数名称 Parameters	产品代号 Product code
1	线圈额定电压 Rated coil volt(VDC)	ZLJM-800C系列 series 12,24,30,48,60,72,120等 etc
2	20±5℃下,冷态动作电压(V) Operating volt. in cold state at(20±5)℃	线圈额定电压的(25~70)% (25~70)% of rated coil volt
3	触点电路额定负载电流 Rated load current of contact circuit(A)	800A
4	触点电路额定电压 Rated volt of contact circuit(V DC)	60
5	100A负载下主触点接触电压降 Contact volt drop of main contact at 100A	不大于80mV not above 80mV
6	最小脉宽 Min pulse width	200ms
7	介质耐压(相互绝缘的导电部分) Dielectric strength (between insulated electric parts)	1000VAC 50/60Hz(1minute)
8	电寿命 Electric life	20,000 Ops.
9	机械寿命 Mechanical life	10万次 100,000 Ops.
10	线圈电流 Coil current	小于700mA <700mA
11	工作规范 Working duty	连续 Continuous