



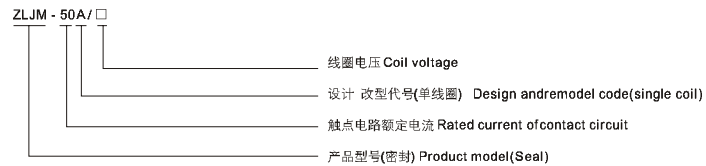
DONGYA ELECTRONIC



ZLJM-50A

Series contactors
系列接触器

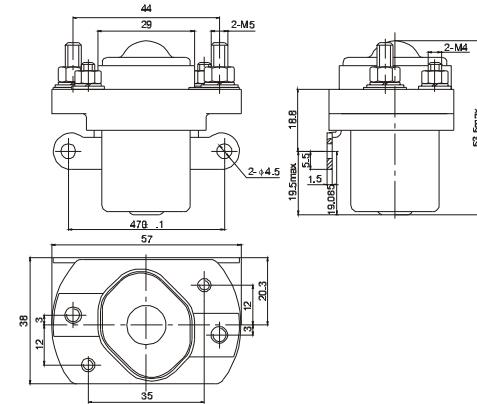
1. 产品型号含义 Nomination(nomogram)



2. 使用条件 Use conditions required

环境温度 Ambient temperature: -25~+40°C
 相对湿度 Relative humidity: +20°C达98%(upto 98% at +20°C)
 固定处的振动频率 Vibration freq. at the fixed position:
 3g, 1~50Hz 振幅 0.5mm
 3g, 1~50Hz ampl 0.5mm
 安装方向 Mounting directions: 任意 Optional

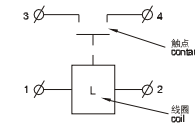
3. 外形安装图 Configurational mounting diagram



4. 线路原理图 Circuit diagram

L为绕组(L is winding)

3, 4: 触点接线端(3, 4: contact terminal)
 1, 2为线圈接线端(1, 2 coil terminal)



5. 简要技术数据 Basic technical data

编号 NO.	参数名称 Parameters	产品代号 Product code	
		ZLJM-50A系列 series	
1	线圈额定电压 Rated coil volt(VDC)	12, 24, 30, 48, 60, 72, 120等(etc)	
2	线圈功耗 Coil Power dissipation(W)	8-10	
3	触点电路额定电压 Rated volt of contact circuit(V DC)	48	
4	触点电路额定负载电流 Rated load current of contact circuit(A)	50A	
5	(20±5)°C下, 冷态动作电压(V) Operating volt incold state at(20±5)°C	吸合 Pick-up 释放 Release	不大于线圈额定电压的70% 线圈额定电压的(5~30)% Not above 70% of rated coil volt (5~30)% of rated coil volt
6	额定负载下触点接触压降 Contact volt drop of rated load	不大于80mV not above 80mV	
7	额定电压下最大动作时间(ms)(线圈不带抑制电器) Max. operating time at rated volt (ms) (Coil with no suppression circuit)	30	
8	触点断开时的最大弹跳时间 Max.bounce time when contact breaks(ms)	3	
9	机电强度 Puncture(volt) strength	50Hz 1000V AC 1min	
10	电寿命(τ=0.001s)(次) Electric life(τ=0.001s)(cycles)	50,000 Ops.	
11	机械寿命 Mechanical life	10万次 100,000 Ops.	
12	工作规范 Working duty	连续 Continuous	