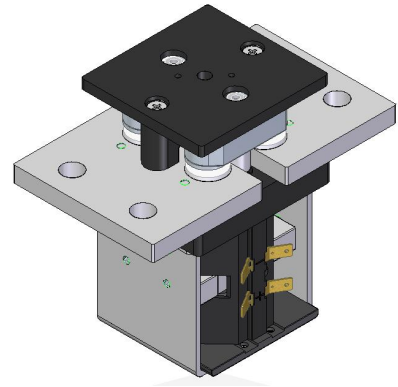


■ ZLJM-1500C/A2 Series



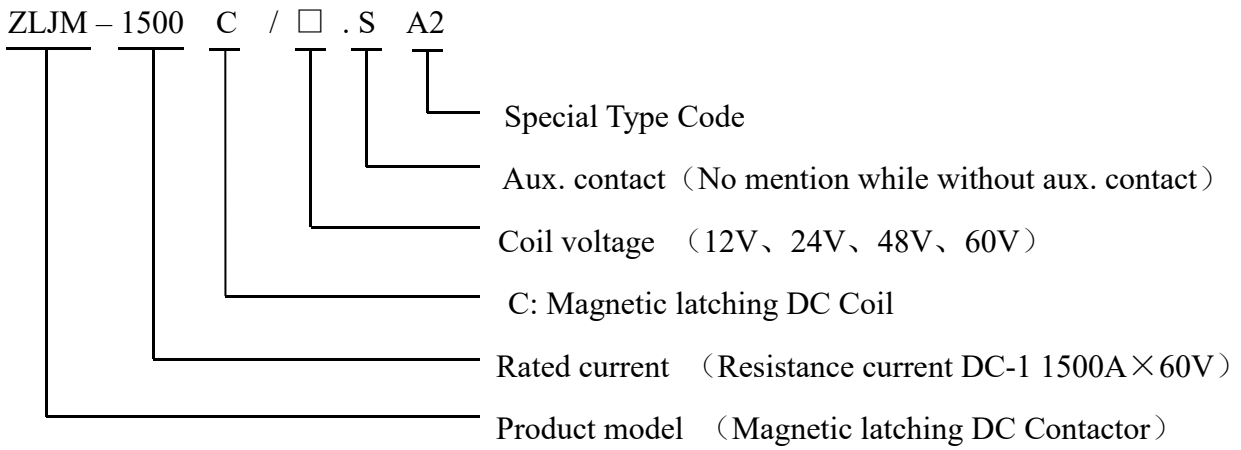
■ CONTACTOR DATA

Model	ZLJM-1500C/□.SA2
Contact form	Bi-stable
Contact Rating (at Resistive Load)	1500A × 60V DC (DC-1)
Contact Voltage Drop	≤80mV@1500A
Insulation Resistance	Min. 100M Ω at 500VDC
Dielectric Strength (Between Insulated Electric Parts)	1500VAC 50 HZ/60 HZ (1 minute) Leak current<1mA
Pick up time	Max. 50mSec.
Drop out time	Max. 50mSec.
Impulse Width	0.5S~1S
Mechanical Operations	20,000 Operations (no load)
Electrical Operations	6,000 Operations (at rated load)
Auxiliary contact switching capacities(Resistive load)	5A /24V DC; 2A/ 48VDC
Working Duty	Continuous
Coil surge suppressor	Varistor

■ COIL DATA

Model	Coil voltage(V)	Coil Working voltage (V)	Pick-up Voltage (V)	Drop-out Voltage (V)	Starting Current (A)	Coil power dissipation(W)
ZLJM-1500C	12	0. 85U <sub>s</sub> ~1. 1U <sub>s</sub>	20%~80%	20%~80%	≤6	50~70
	24				≤3	
	48				≤1. 5	
	60				≤1. 5	

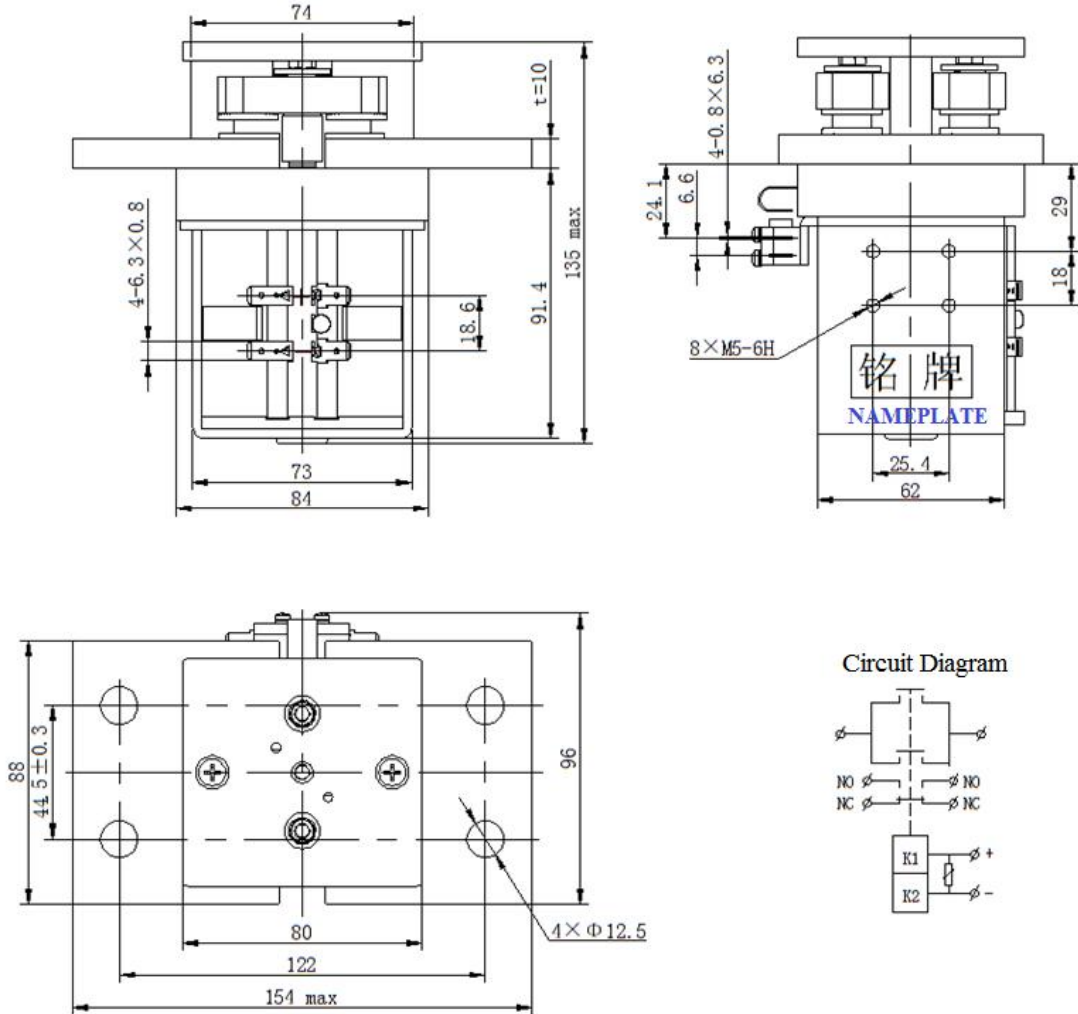
■ Part Numbering System



Example: ZLJM-1500A/48.SA2; means: Magnetic latching DC Contactor, 1500A for DC-1 load rated current, coil voltage 48V DC , with aux. contact.

■ SHAPE INSTALLATION AND CIRCUIT DIAGRAM

ZLJM-1500C/□.SA2



尺寸 (mm) Dimension (mm)	未注尺寸公差 (mm) Tolerance grade not noted (mm)
0~30	±0.3
31~60	±0.5
61~100	±1
>100	±2

### Note:

1. The main circuit connect copper bus bar is silver-plating.
2. The terminals of aux. contact is silver-plating if without special mention.
3. Product coil is excited by positive and negative pluse,  $500\text{ms} \leq t \leq 1\text{S}$ . long time continuous energizing is not allowed. Operation frequency should be no more than 6 ops/min. It`s square pulse(“+” connect with positive pulse, “-” connect with negative pulse) and positive pulse makes the contact close while negative pulse makes the contact open after the excitation ,the permanent magnet in product keeps the state of the contact.