

■ DYZ1-63C

Series

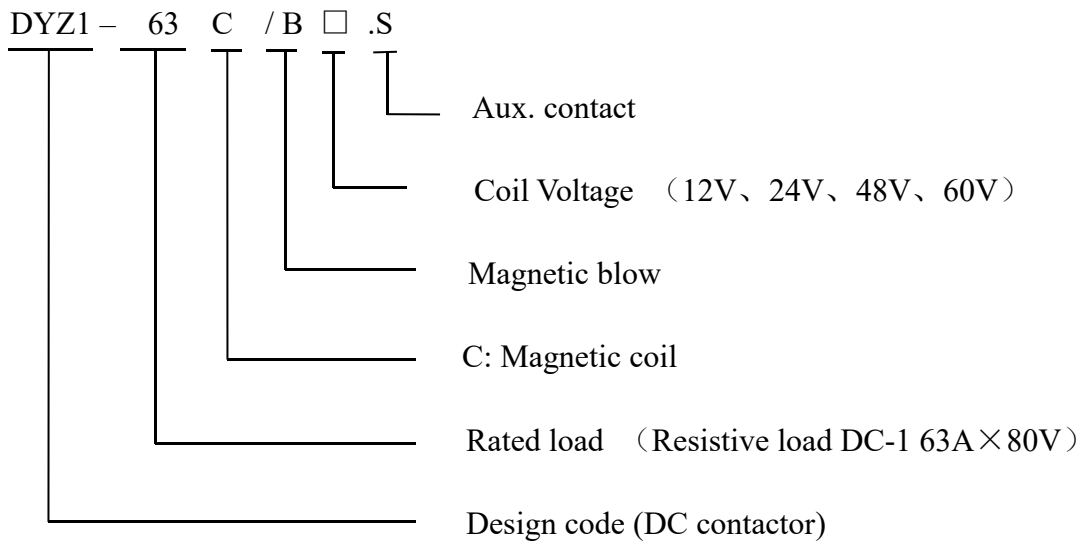
■ Contactor Data

Main Part No.	DYZ1-63C/B60.S
Contact type	Bi-stable
Rated load current of contact (Resistive load)	63A × 80V DC
Contact voltage drop	≤40mV@63A
Insulation resistance	Min. 100MΩ at 500VDC
Dielectric strength (Between Insulated Electric Parts)	1500VAC 50 HZ/60 HZ (1 minute) Leak current < 1mA
Vibration	(10~200)HZ、≤3.5g
Shock	(60~100)ops/minute、≤4g
Lightning stroke	8/20us 10/20KA lightning test ±5 times each
Pollution level	III
Working duty	Continuous

■ Coil Data

P/N	Coil voltage	Coil operating voltage (V)	Pick-up voltage (V)	Drop-out voltage (V)	Start power (A)	Coil Power (W)
DYZ1-63C	60V	36~72	≤42	≤42	≤0.4	≤24
	48V	28.8~57.6	≤33.6	≤33.6	≤0.5	
	24V	14.4~28.8	≤16.8	≤16.8	≤1	
	12V	7.2~14.4	≤8.4	≤8.4	≤2	

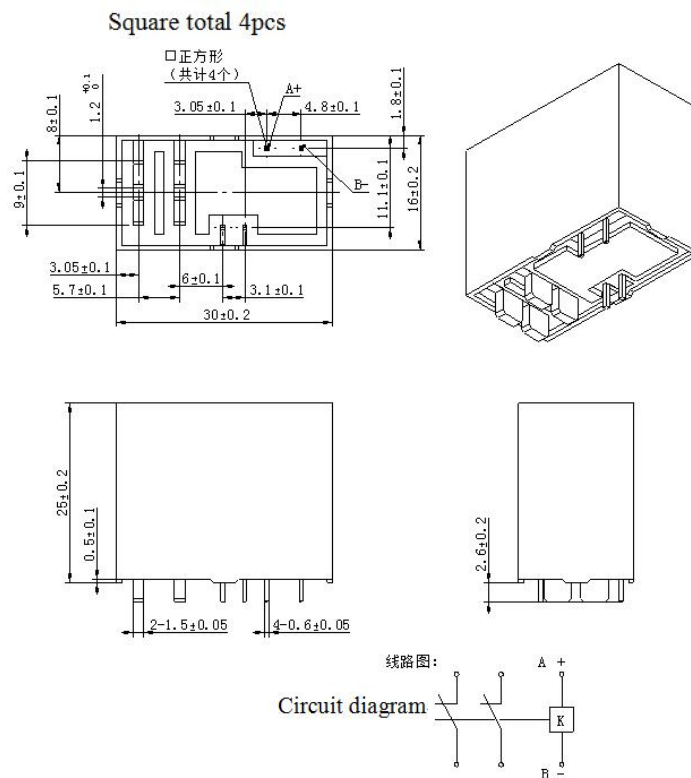
■ Part Numbering System



Example: DYZ1-63 - c/B60. S. indicates Magnetic latching DC contactor, rated current at DC-1 load is 63A, coil voltage is DC60V. Products with magnetic blowing, with auxiliary contact.

■ Shape installation and circuit diagram (Unit: mm)

DYZ1-63C/□.S



Dimension (mm)	Tolerance grade not noted (mm)
0~30	±0.3
30~60	±0.5
60~100	±1
大于 100	±2

Note: 1. Main circuit connects copper bus bar which is silver plated;
2. Auxiliary contact connecting plate is silver plated;

3. The product coil has positive and negative pulse excitation, excitation time $50\text{ms} \leq T \leq 200\text{s}$. The coil shall not be continuously energized for long periods, the operating frequency shall not exceed 6 times per minute, and the pulse shall be square wave. Positive pulse (" + "is connected to the power supply positive, " - "is connected to the power supply negative) makes the contact pick-up, negative pulse (" + " is connected to the power supply negative, " - " is connected to the power supply positive) makes the contact drop-out. After the coil is de-excited, the state of the contactor is maintained in permanent magnetic.